

# POSIES SUPER SLIDE SPRINGS AND HOT ROD PARTS

## 1942-48 FORD REAR SHOCK KIT

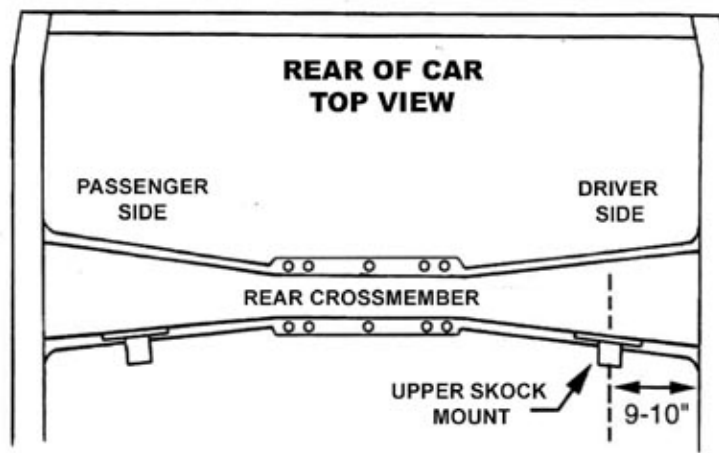
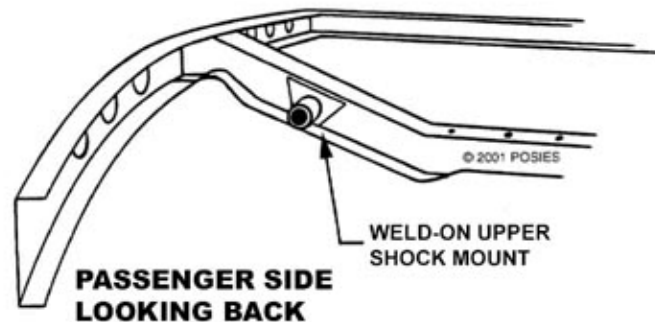
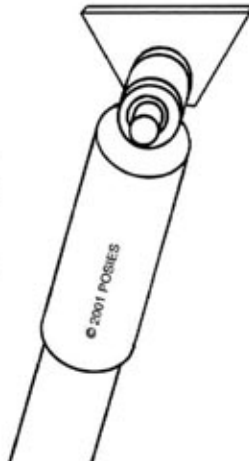
219 N. Duke Street Hummelstown, PA 17036

Phone 717.566.3340 Fax 717.566.5440

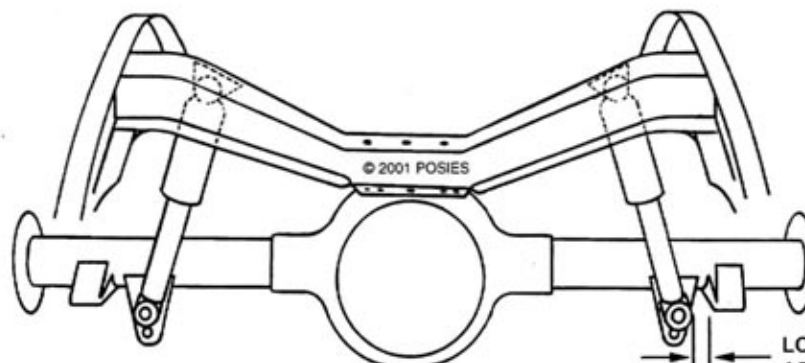
### KIT INCLUDES:

- (2) SHOCKS
- (2) 7/16" BOLTS, WASHERS, COURSE LOCK NUTS
- (2) UPPER SHOCK MOUNTS
- (2) LOWER SHOCK STUDS
- (2) 1/2" LOCK NUTS
- (2) 7/16" FINE LOCK NUTS & WASHERS
- (6) NUTS AND BOLTS FOR BOLT-ON KIT

**NOTE:** LOWER WELD-ON SHOCK MOUNT COMES WITH POSIES REAR KIT OR SOLD SEPARATELY



LOCATE UPPER SHOCK MOUNT ABOUT 9" TO 10" FROM THE INSIDE OF THE FRAME RAIL TO THE CENTER BOLT



### LOOKING FROM REAR OF CAR

WHEN YOU ARE FINISHED WITH MOCK-UP, MAKE SURE THE YOUR SHOCK IS COMPRESSED TO ABOUT 12" - 12 1/2" WITH THE FULL WEIGHT OF THE VEHICLE. IF YOU ARE USING LOWERING BLOCKS, MAKE SURE THAT THE SHOCKS DO NOT BOTTOM OUT.