

POSIES SUPER SLIDE SPRINGS AND HOT ROD PARTS

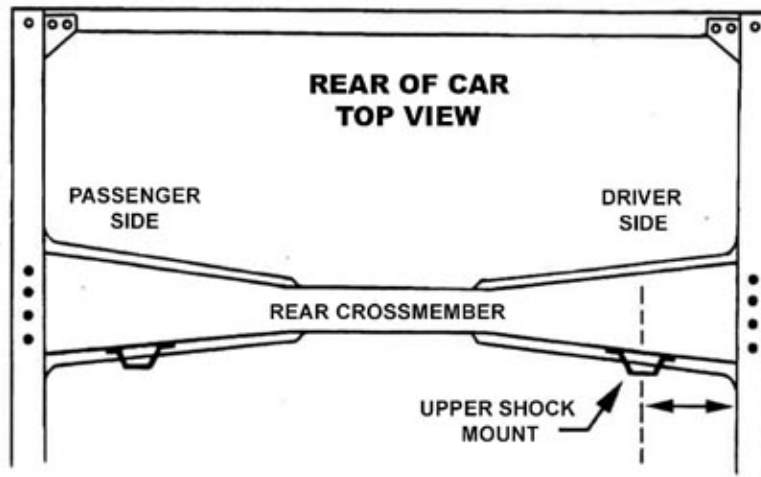
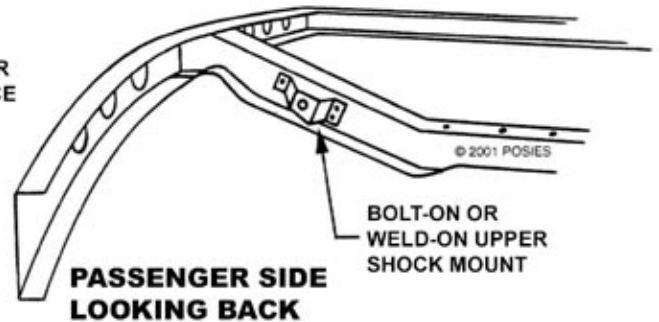
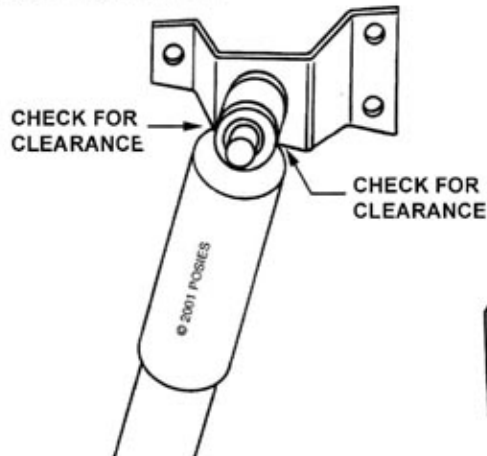
1932-40 FORD REAR SHOCK KIT

219 N. Duke Street Hummelstown, PA 17036
Phone 717.566.3340 Fax 717.566.5440

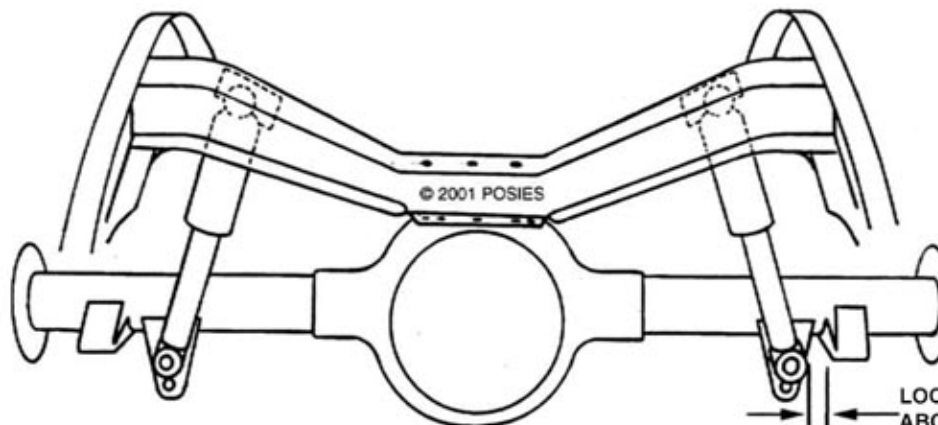
KIT INCLUDES:

- (2) SHOCKS
- (2) 7/16" BOLTS, WASHERS, COURSE LOCK NUTS
- (2) UPPER SHOCK MOUNTS
- (2) LOWER SHOCK STUDS
- (2) 1/2" LOCK NUTS
- (2) 7/16" FINE LOCK NUTS & WASHERS
- (6) NUTS AND BOLTS FOR BOLT-ON KIT

NOTE: LOWER WELD-ON SHOCK MOUNT COMES WITH POSIES REAR KIT OR SOLD SEPARATELY



LOCATE UPPER SHOCK MOUNT ABOUT 9" TO 10" FROM THE INSIDE OF THE FRAME RAIL TO THE CENTER BOLT



LOCATE LOWER SHOCK MOUNT ABOUT 1" FROM AXLE SADDLE.

LOOKING FROM REAR OF CAR

WHEN YOU ARE FINISHED WITH MOCK-UP, MAKE SURE YOUR SHOCK IS COMPRESSED TO ABOUT 12" - 12 1/2" WITH THE FULL WEIGHT OF THE VEHICLE. IF YOU ARE USING LOWERING BLOCKS, MAKE SURE THAT THE SHOCKS DO NOT BOTTOM OUT.