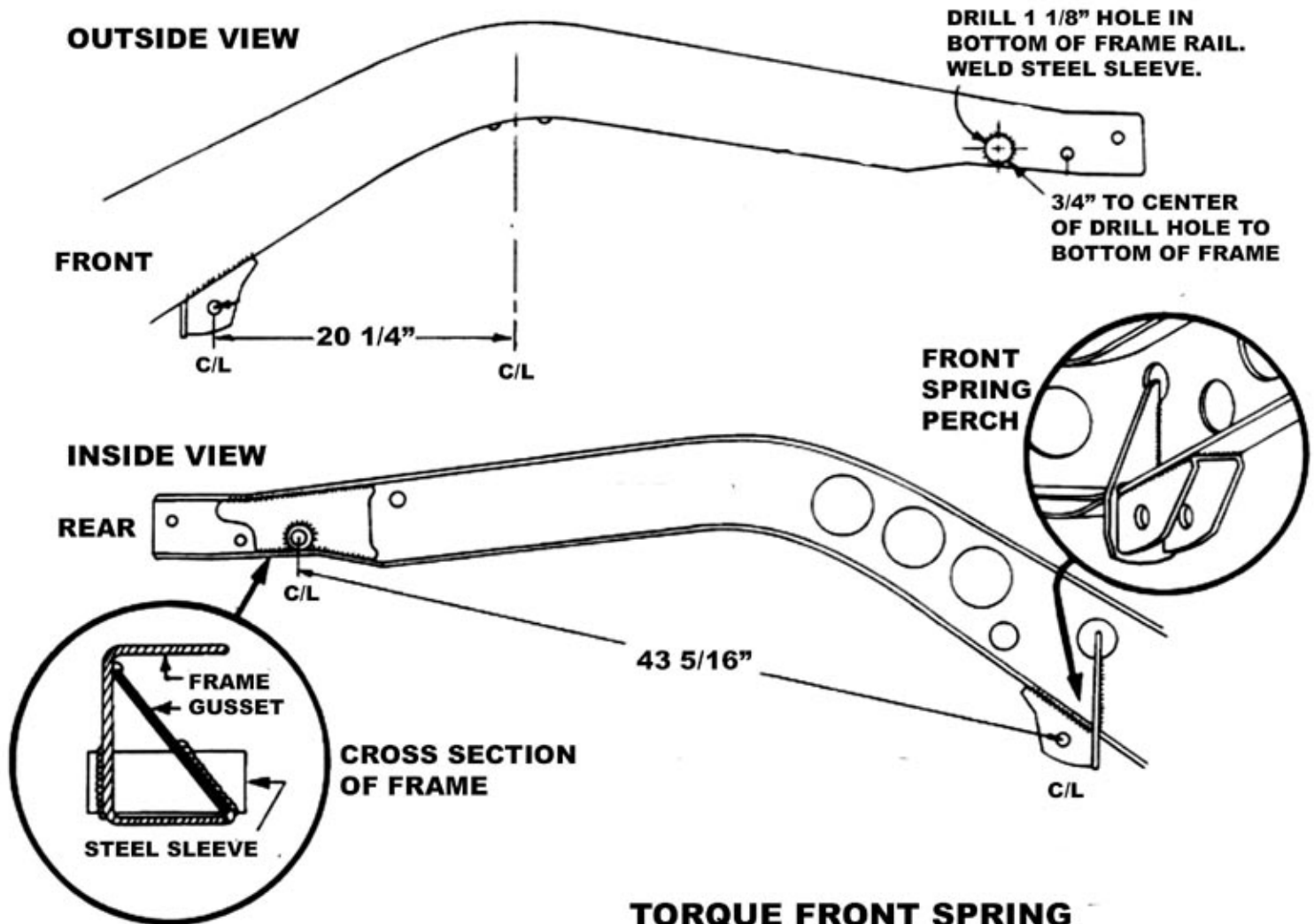


POSIES SUPER SLIDE SPRINGS AND HOT ROD PARTS

219 N. Duke Street Hummelstown, PA 17036
Phone 717.566.3340 Fax 717.566.5440

1935-40 FORD REAR SUPERSLIDE SPRING KIT



**TORQUE FRONT SPRING
PERCH BOLTS TO 65 LBS.**

NOTE:

- MAKE SURE THAT THE FRAME IS LEVEL AND SQUARE
- THE MOUNTING BRACKETS MUST BE FULLY WELDED BEFORE FINAL INSTALLATION

KIT INCLUDES:

- | | |
|-----------------------------|------------------------|
| (2) FRONT SPRING PERCHES | (2) SHACKLES |
| (2) BOLTS & LOCK NUTS | (2) LOWER SHOCK MOUNTS |
| (2) DEEP AXLE SADDLES | (2) SUPERSLIDE SPRINGS |
| (4) U-BOLTS | |
| (2) U-BOLT PLATES | |
| (2) STEEL SLEEVES & GUSSETS | |

IMPORTANT:

MAKE SURE THAT YOU TIGHTEN THE SHACKLE NUTS SO THAT THE LAST THREAD IS PAST THE NUT. YOUR SHACKLE BUSHINGS WILL THEN LAST MANY MILES AND WORK CORRECTLY. OVER TIGHTENING OF THE SHACKLE NUTS AND FRAME MOUNT BOLT MAY RESULT IN A COMPROMISED RIDE QUALITY.

