

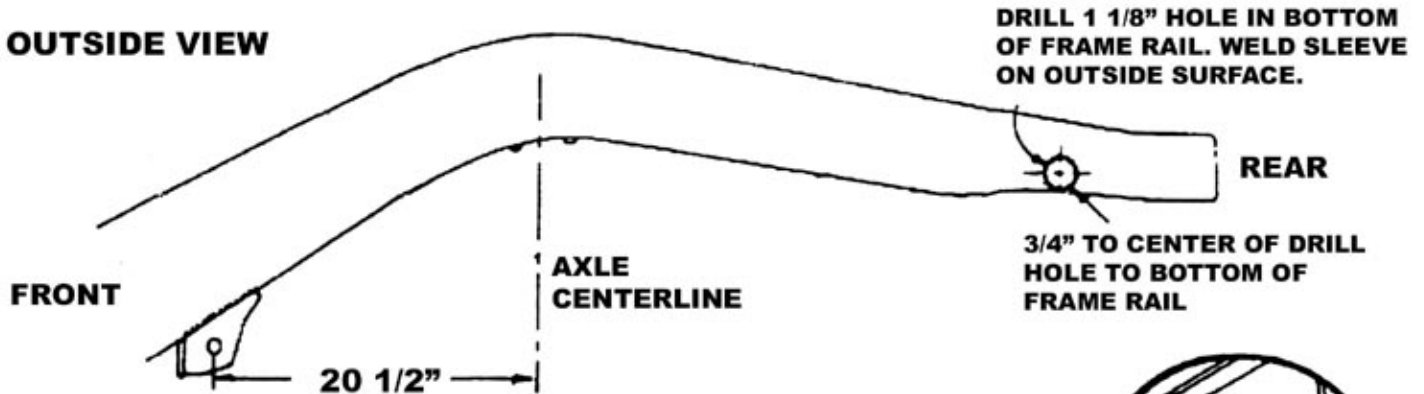
# POSIES SUPER SLIDE SPRINGS AND HOT ROD PARTS

219 N. Duke Street Hummelstown, PA 17036  
Phone 717.566.3340 Fax 717.566.5440

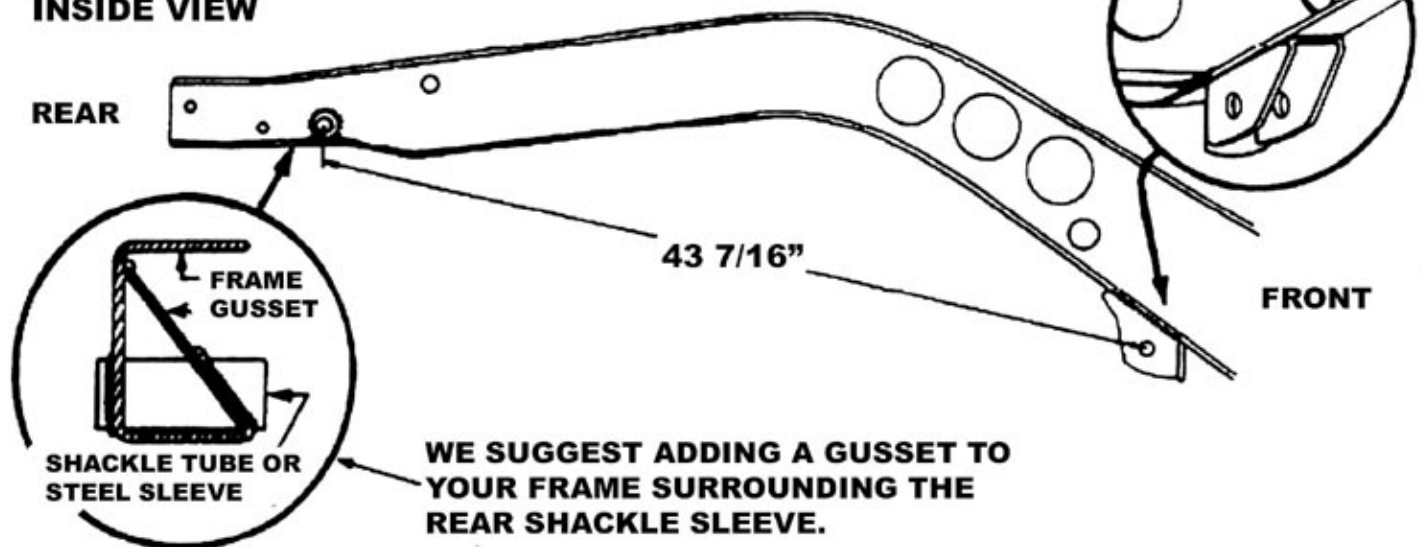
# UNIVERSAL REAR SPRING KIT

FRAME SHOWN IS GENERIC

## OUTSIDE VIEW



## INSIDE VIEW



**TORQUE FRONT SPRING  
PERCH BOLTS TO 65 LBS.**

### NOTE:

- MAKE SURE THAT THE FRAME IS LEVEL AND SQUARE
- THE MOUNTING BRACKETS MUST BE FULLY WELDED BEFORE FINAL INSTALLATION

### KIT INCLUDES:

- |                          |                         |
|--------------------------|-------------------------|
| (2) FRONT SPRING PERCHES | (2) STEEL SLEEVES       |
| (2) BOLTS & LOCK NUTS    | (2) SHACKLES & BUSHINGS |
| (2) AXLE SADDLES         | (2) LOWER SHOCK MOUNTS  |
| (4) U-BOLTS & DEEP NUTS  | (2) SUPERSLIDE SPRINGS  |
| (2) U-BOLT PLATES        |                         |

### IMPORTANT:

MAKE SURE THAT YOU TIGHTEN THE SHACKLE NUTS SO THAT THE LAST THREAD IS PAST THE NUT. YOUR SHACKLE BUSHINGS WILL THEN LAST MANY MILES AND WORK CORRECTLY. OVER TIGHTENING OF THE SHACKLE NUTS AND FRAME MOUNT BOLT MAY RESULT IN A COMPROMISED RIDE QUALITY.

